



SPEED R

ERGONOMIC GAMING CHAIR
流線R 超跑人體工學椅

ENGLISH

- BREATHABLE MESH FABRIC
- 4D ADJUSTABLE HEADREST
- ADJUSTABLE BACKREST
- 3D ADJUSTABLE ARMREST
- SHOCK-ABSORBING LUMBAR SUPPORT
- BLADE-STYLE CASTERS

РУССКИЙ

- СЕТКИ ДЫШАЩАЯ ЭЛАСТИЧНАЯ
- 4D РЕГУЛИРУЕМЫЙ ПОДГОЛОВНИК
- РЕГУЛИРУЕМАЯ СПИНКА
- 3D РЕГУЛИРУЕМЫЙ ПОДЛОКОТНИК
- ПОЯСНИЧНАЯ ПОДДЕРЖКА С АМОРТИЗАЦИЕЙ
- РОЛИКИ В СТИЛЕ ЛЕЗВИЯ

ESPAÑOL

- ELÁSTICA DE MALLA TRANSPIRABLE
- REPOSACABEZAS AJUSTABLE 4D
- RESPALDO AJUSTABLE
- APOYABRAZOS AJUSTABLE 3D
- SOPORTE LUMBAR CON ABSORCIÓN DE IMPACTOS
- RUEDAS TIPO CUCHILLA

PORTUGUÊS

- MALHA RESPIRÁVEL ELÁSTICA
- 4D SUPORTE AJUSTÁVEL DE CABEÇA
- ENCOSTO AJUSTÁVEL
- 3D APOIO DE BRAÇO AJUSTÁVEL
- SUPORTE LOMBAR COM ABSORÇÃO DE IMPACTO
- RODÍZIOS ESTILO LÂMINA

日本語

- 伸縮 メッシュ 生地
- 4D調整可能なヘッドレスト
- 調節可能な背もたれ
- 3D調整可能なアームレスト
- 衝撃吸収ランバーサポート
- ブレードスタイルキャスター

한국어

- 통기성 메쉬 패브릭
- 4D 조절 가능한 머리 받침
- 조절 가능한 등받이
- 3D 조절 식 팔걸이
- 개폐식 페달
- 알루미늄 다리

繁體中文

- 高彈力透氣網布
- 4D頭枕
- 可調式椅背
- 3D扶手
- 減震式腰靠
- 刀鋒式滑輪

简体中文

- 高弹力透气网布
- 4D头枕
- 可调式椅背
- 3D扶手
- 减震式腰靠
- 刀锋式滑轮

WARRANTY CONDITIONS

Product : SPEED R ERGONOMIC GAMING CHAIR

The product warranty period is calculated from date of purchase. MarsRhino warrants that the product will not have any material or quality defects during the warranty period. If a product requires warranty service, proof of purchase (purchase receipt or invoice) must be produced during the warranty period.

MarsRhino's warranty is limited to providing new parts to repair the product. When the product cannot be repaired, it may be exchanged for a product with the identical model number. If the product is no longer produced or unavailable, a product with similar functions or specifications may be substituted. The warranty period of the exchanged product is the original product's remaining warranty period, or 90 days, whichever is longer.

This warranty is subject to local laws and regulations. You also enjoy locally-granted warranty rights.

WARRANTY NOT APPLICABLE

- Where there has been human error, abnormal use, or force majeure (e.g., storm, flood, fire, earthquake, war, lightning, electrical surges, etc.).
- When the product number is reused, modified, damaged, illegible, etc.
- Where there has been disassembly, modification, or replacement of original parts, either oneself or by a merchant not authorized by the original manufacturer.
- Where the product has been used in a manner not in accordance with the instructions.
- To accessories, instructions, and packaging other than the product itself.

WARNING

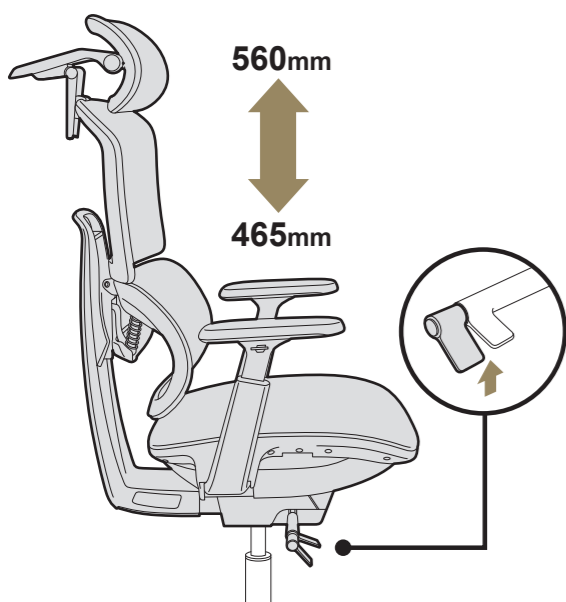
- Please wear protective gloves when assembling the chair. It is your own responsibility to use appropriate protection to prevent any physical damage.
- Pay attention to your hand's position and keep it away from spaces in which it could get caught or be injured.
- Keep in mind that this chair is designed only for sitting and reclining, and that it should be used only for those uses.
- Do not sit on the edge of the chair or the arm rests.
- When the chair is moving, please do not touch any of the chair's adjustment controls to prevent affecting its stability and causing a potentially dangerous fall.
- When reclining the chair, please keep both feet on the ground, as well as abstain from any violent, rough or strong movement which could cause the chair to tip over.
- Do not place the chair in a location in which it is likely to be subjected to prolonged sunlight exposure. The product's colors might fade when exposed to sunlight.
- Do not use abrasive products or scrub energetically when cleaning. Please stick to gentle products suitable for delicate materials.
- If any part of the product is damaged, missing or loose, please contact the local distributor and do not use the product.

CUSTOMER SERVICE

Please contact the retailer where you purchased the product first. If you still cannot solve the problem, please contact us at the following email address.
Email: rma@marsrhino.com

www.marsrhino.com

椅座高度調整
HEIGHT LIFT



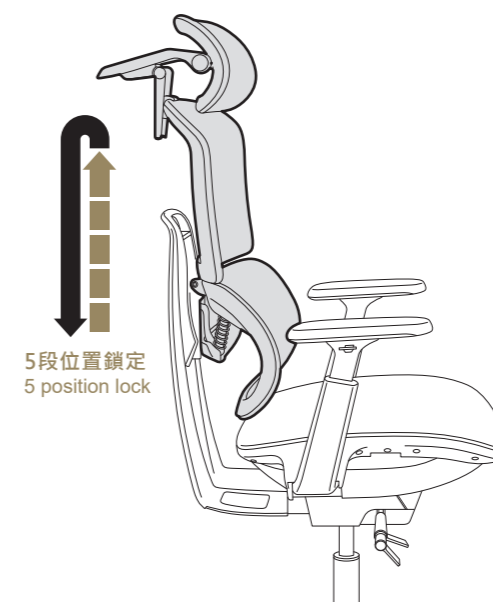
椅座前後調整
SLIDING SEAT



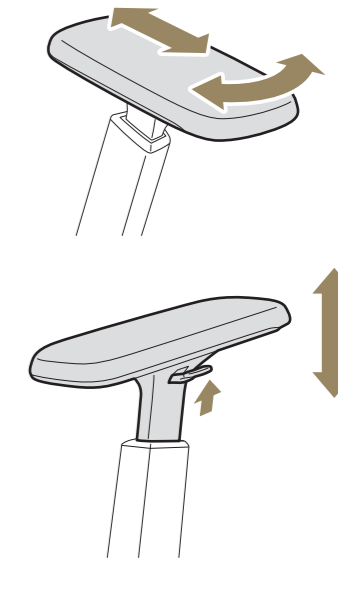
腰靠調整
ADJUSTABLE LUMBAR SUPPORT



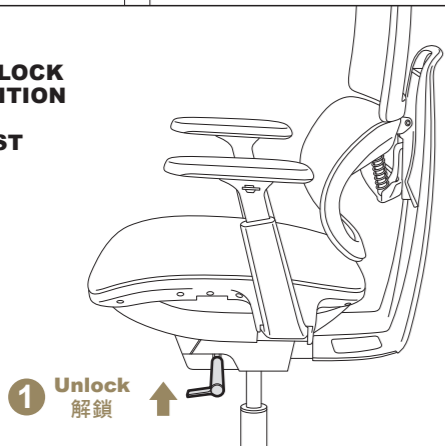
椅背高度調整
BACKREST HEIGHT LIFT



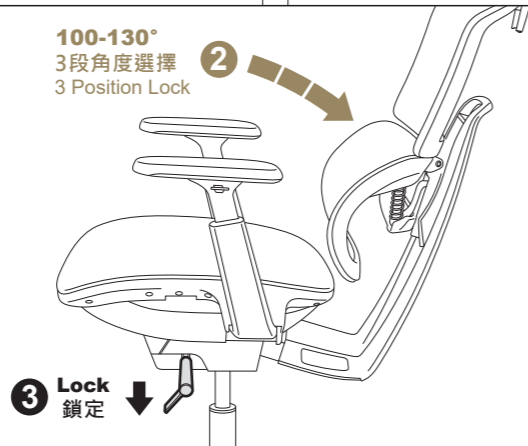
3D可調式扶手
3D ADJUSTABLE ARMREST



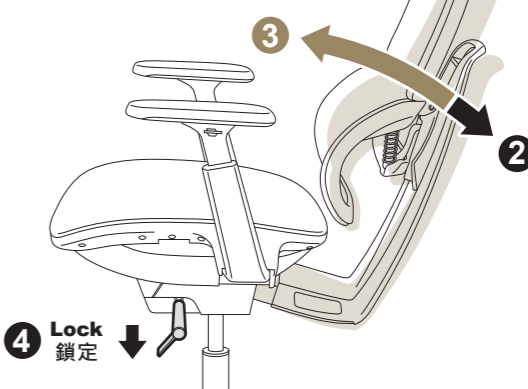
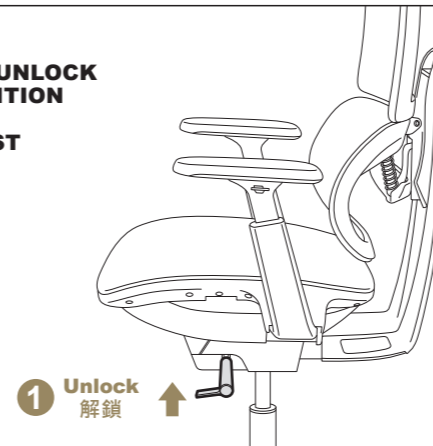
鎖定傾仰
HOW TO LOCK
THE POSITION
OF THE
BACKREST



100-130°
3段角度選擇
3 Position Lock



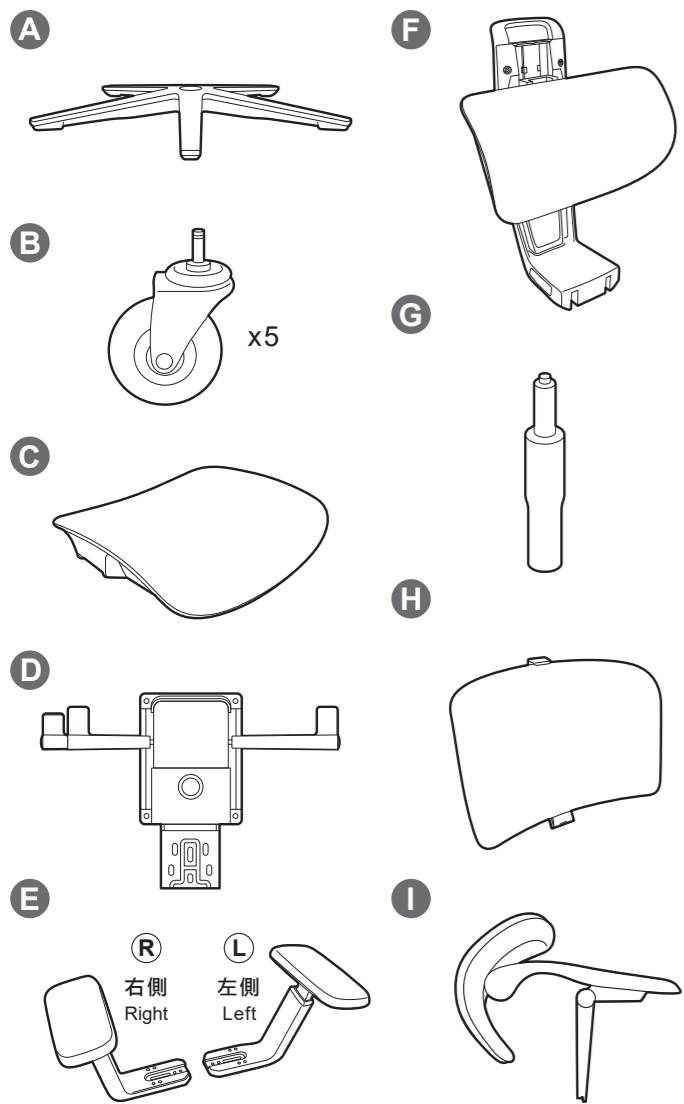
解除傾仰
HOW TO UNLOCK
THE POSITION
OF THE
BACKREST



椅背防回彈
安全設計
SECURITY
DESIGN

解鎖後，需再往後靠輕壓椅背，聽到“嗒”聲即可解除鎖定，回正椅背。
Lean back into seat to unlock backrest.

組裝配件 ASSEMBLY DRAWING



零件包 ACCESSORY KIT

